

REV	REVISION RECORD	ECN	BY	APVD	DATE
A	INITIAL RELEASE	14183	MAC	JB	6-96
B	PER ECN 14471	14471	MAC	JB	10-96

NOTE: UNLESS OTHERWISE SPECIFIED

1. INTERPRET DRAWING IN ACCORDANCE WITH ANSI Y14.5-1982.
2. REMOVED
3. PITCH CONSISTENCY TO BE WITHIN  $\pm 0.005$  OVER 3.000 INCHES.
- PART TO BE SUPPLIED ON A CONTINUOUS REEL.
5. ALL DIMENSIONS APPLY AFTER PLATING.

PART NUMBER BREAKDOWN

- 0 = UNDER 1 INCH OAL.
- 1 = OVER 1 INCH OAL.

PIN SIZE

8-18

OVERALL LENGTH "L"

PIN LENGTH "P" ABOVE STAR

PIN TYPE  
(SEE STAR DETAIL)

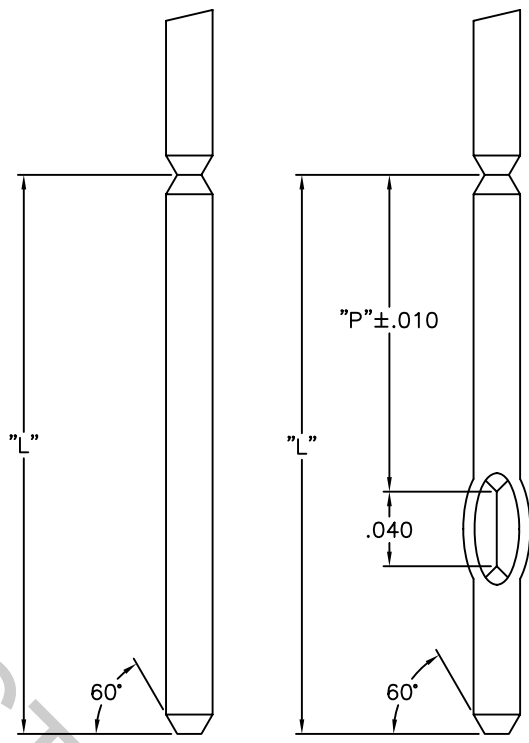
- 4 = ROUND PIN
- 5 = ROUND PIN WITH STANDARD STAR
- 7 = ROUND PIN WITH LARGE STAR

FINISH VARIATIONS

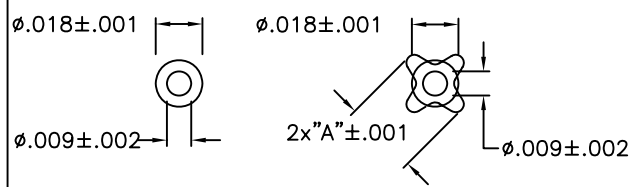
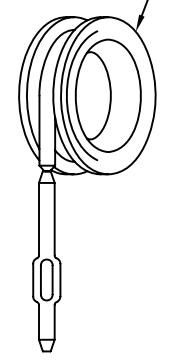
- AA = TIN/LEAD .000120 MIN OVER NICKEL
- BB = GOLD PLATE .000005 OVER NICKEL
- CC = GOLD PLATE .000010 OVER NICKEL
- WW = GOLD PLATE .000015 OVER NICKEL
- DD = GOLD PLATE .000020 OVER NICKEL
- EE = GOLD PLATE .000030 OVER NICKEL

MATERIAL

- 2 = BRASS ALLOY
- 5 = PHOSPHOR BRONZE ALLOY
- 7 = COPPER/NICKEL/TIN ALLOY



REELING ORIENTATION  
AP/2 REEL  
(24" O.D. x 20" I.D.)



- 4 ROUND NO STAR
- 5 ROUND STD. STAR .021
- 7 ROUND LRG. STAR .024

STAR DETAIL

CUSTOMER DRAWING

This drawing and the information set forth herein are the property of Autossplice, Inc. and are to be held in trust and confidence. Publication, duplication, disclosure, or use for any purpose not expressly authorized in writing by Autossplice, Inc. is prohibited.

ALL DIMENSIONS ARE IN INCHES	AUTOSPlice INC. 10121 Barnes Canyon Road San Diego, California 92121 (619) 535-0077	
DECIMAL: XX $\pm 0.01$ XXX $\pm 0.005$	THIRD ANGLE PROJECTION 	DRAWN BY <b>MAC M</b> DATE 5-05-96 APPROVED BY <b>J BIANCA</b> DATE 6-05-96
TITLE AUTOPIN/2 DETAIL PART DRAWING	SIZE FSCM NO. DRAWING NUMBER <b>C 0AE89 C8-18[4thru7]</b>	REV. <b>B</b>
ANGULAR: $\pm 5'$	SCALE: NONE CAD FILE NO. C08-184-70X AND REV.	SHEET 1 OF 1